

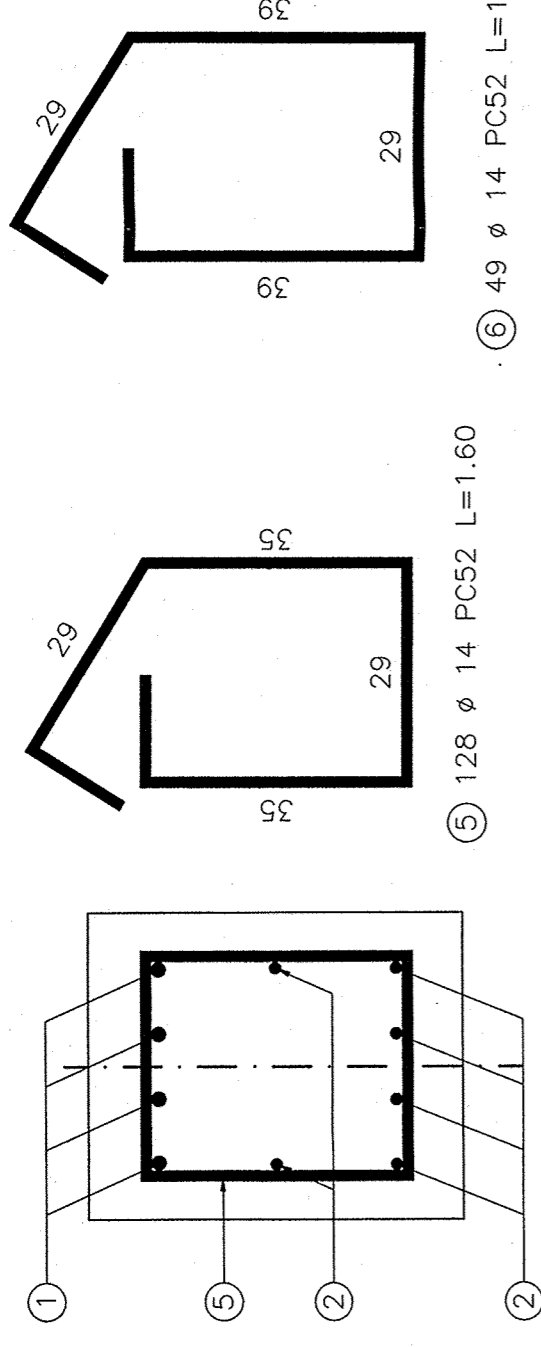
EXTRAS DE ARMATURA / TABLE REINFORCEMENT

Marca	φ (mm)	n (buc.)	L (m)	S355 (PC52)	S345 (PC52)	S345 (PC52)
1	20	24	5.10	φ14	φ16	φ20
2	16	24	5.00		120.00	122.40
3	20	8	7.95		63.20	63.60
4	16	8	7.90	19.20		
5	14	12	1.60	80.85		
6	14	49	1.65	20.70		
7	14	18	1.15	34.20		
8	14	18	1.90	15.60		
9	14	8	1.95	10.00		
10	14	8	1.25	16.20		
11	14	4	4.05	14.80		
12	14	8	1.85	9.20		
13	14	8	1.15	15.40		
14	14	4	3.85	236.15	183.20	186.00
<b>TOTAL LUNGIMI PE DIAMETRU (m)</b>				1.208	1.578	2.466
<b>GREUTATE PE METRU (kg/m)</b>				285.37	289.15	458.70
<b>GREUTATE PE DIAMETRU (kg)</b>				1034.00		
<b>GREUTATE PE TIP OTEL (kg)</b>				1034.00		
<b>GREUTATE TOTALA PT 2 BUCATI ASEMENEA</b>						2068.00

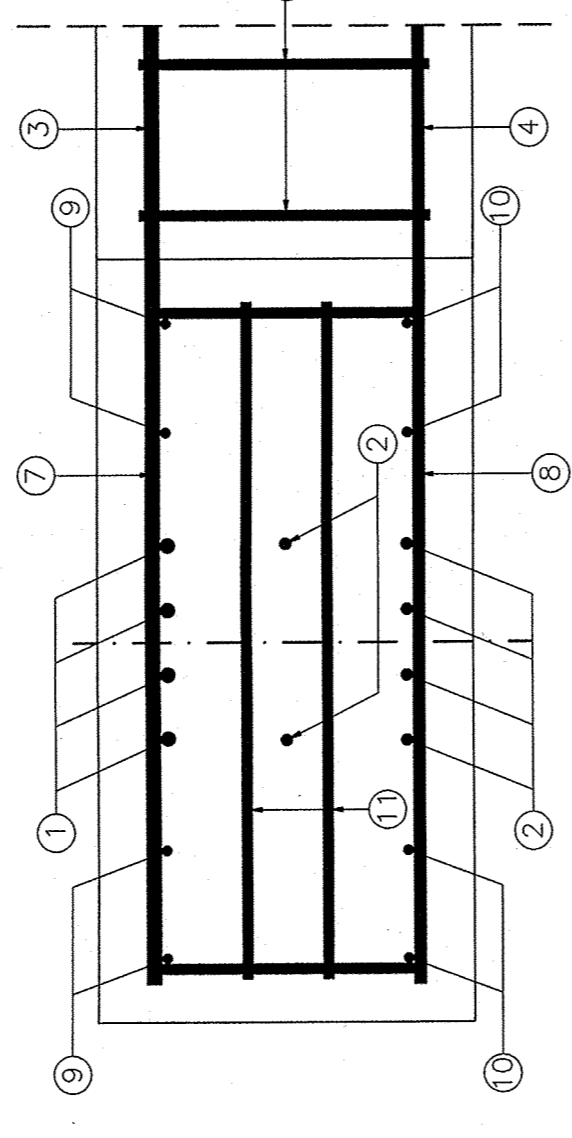
ARMATURA:  
PC52  
OB37  
ACOPERIRE: 5cm



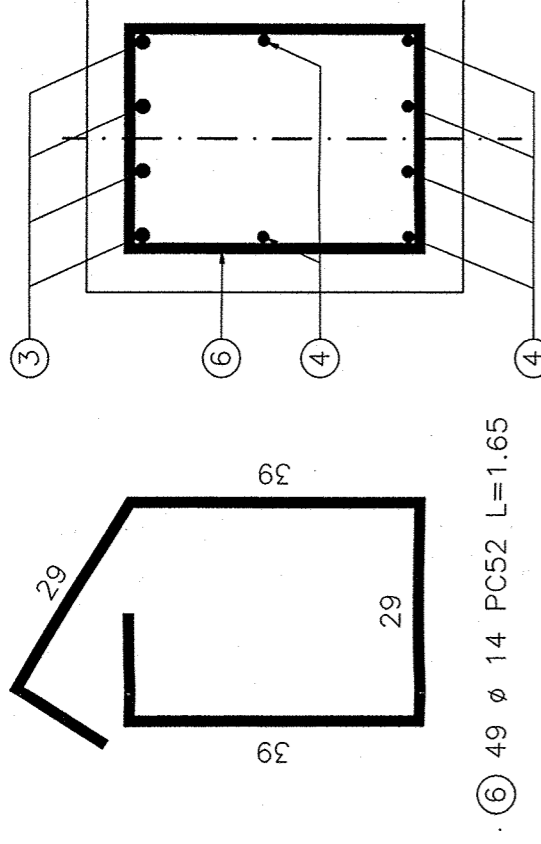
SECTIUNE A-A  
A-A SECTION  
Sc.1:10



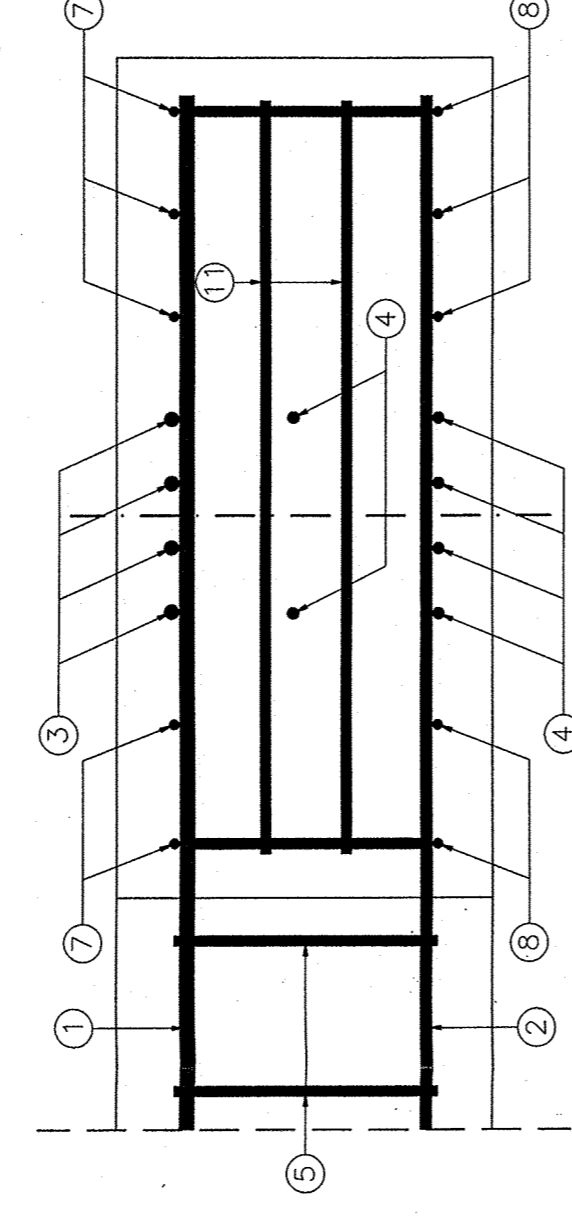
SECTIUNE B-B  
B-B SECTION  
Sc.1:10



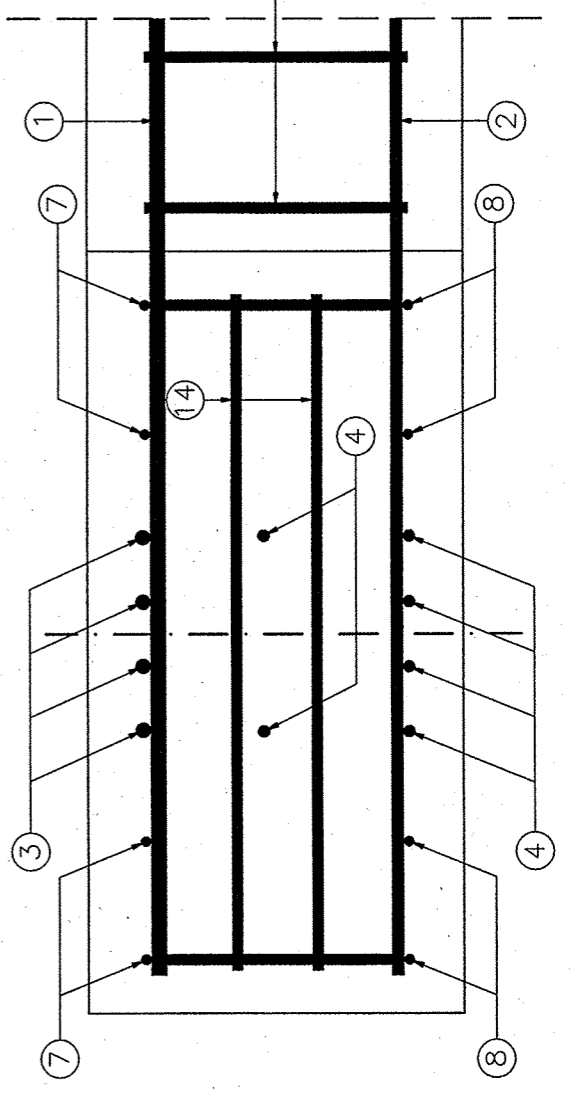
SECTIUNE C-C  
C-C SECTION  
Sc.1:10



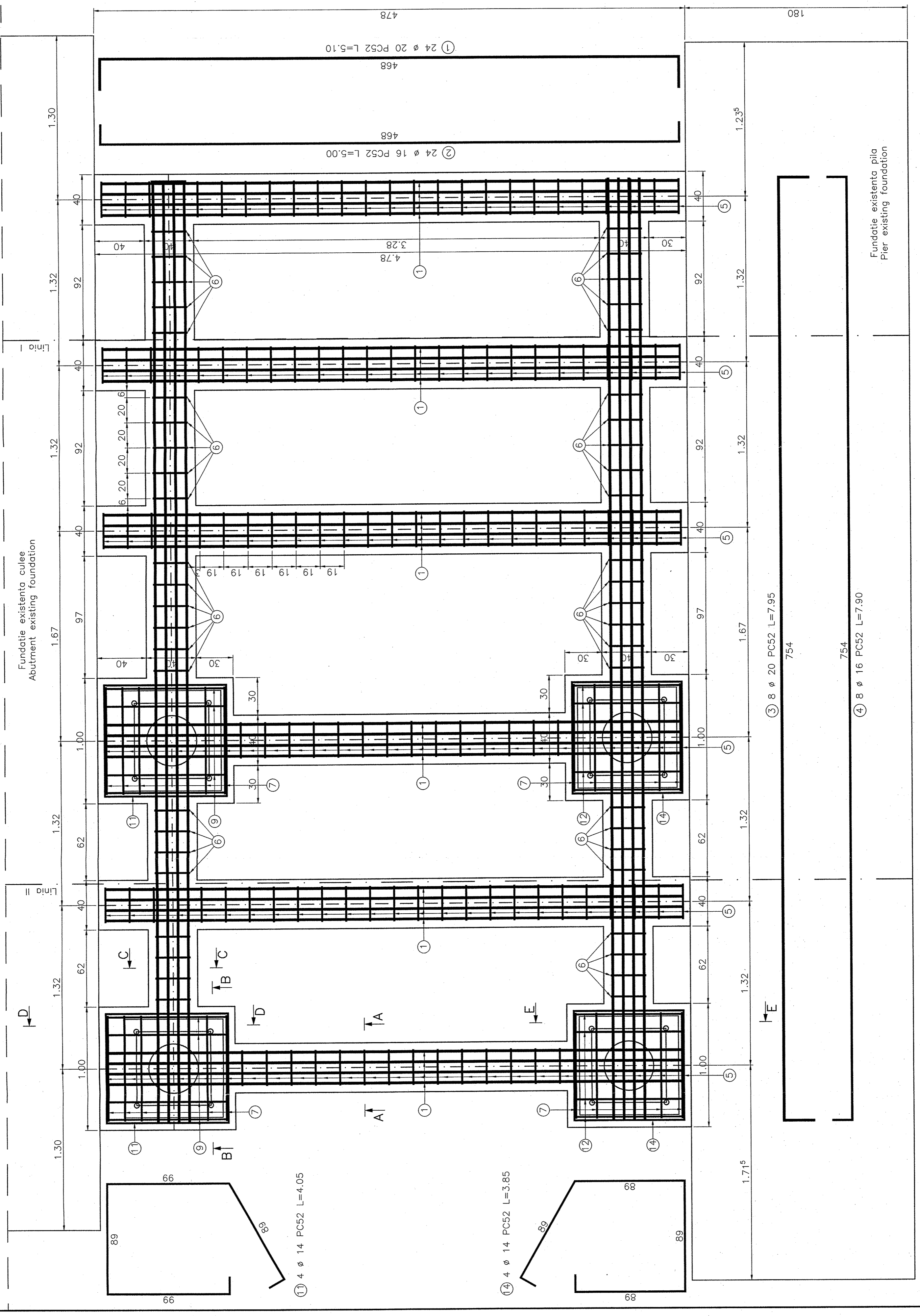
SECTIUNE D-D  
D-D SECTION  
Sc.1:10



SECTIUNE E-E  
E-E SECTION  
Sc.1:10



VEDERE PLANA  
Sc. 1:20



**Beneficiar / Beneficiary:** ROMANIAN RAILWAY NATIONAL COMPANY  
**Modificator / Revision:** **Beneficiar / Beneficiary:** ROMANIAN RAILWAY NATIONAL COMPANY  
**Data / Date:** 05.2009  
**Proiectant / Designer:** Ing. Cosmin Coseanu  
**Verificator / Checked:** Ing. Ioan Dacin  
**Forma aprobata / Form Approved:** Ing. Stelian Vana-Cross

**Asociatia / Association:** **Beneficiar / Beneficiary:** ROMANIAN RAILWAY NATIONAL COMPANY  
**Data / Date:** 05.2009  
**Proiectant / Designer:** Ing. Cosmin Coseanu  
**Verificator / Checked:** Ing. Ioan Dacin  
**Forma aprobata / Form Approved:** Ing. Stelian Vana-Cross

**Asociatia / Association:** **Beneficiar / Beneficiary:** ROMANIAN RAILWAY NATIONAL COMPANY  
**Data / Date:** 05.2009  
**Proiectant / Designer:** Ing. Cosmin Coseanu  
**Verificator / Checked:** Ing. Ioan Dacin  
**Forma aprobata / Form Approved:** Ing. Stelian Vana-Cross

**Asociatia / Association:** **Beneficiar / Beneficiary:** ROMANIAN RAILWAY NATIONAL COMPANY  
**Data / Date:** 05.2009  
**Proiectant / Designer:** Ing. Cosmin Coseanu  
**Verificator / Checked:** Ing. Ioan Dacin  
**Forma aprobata / Form Approved:** Ing. Stelian Vana-Cross

**Asociatia / Association:** **Beneficiar / Beneficiary:** ROMANIAN RAILWAY NATIONAL COMPANY  
**Data / Date:** 05.2009  
**Proiectant / Designer:** Ing. Cosmin Coseanu  
**Verificator / Checked:** Ing. Ioan Dacin  
**Forma aprobata / Form Approved:** Ing. Stelian Vana-Cross

**Asociatia / Association:** **Beneficiar / Beneficiary:** ROMANIAN RAILWAY NATIONAL COMPANY  
**Data / Date:** 05.2009  
**Proiectant / Designer:** Ing. Cosmin Coseanu  
**Verificator / Checked:** Ing. Ioan Dacin  
**Forma aprobata / Form Approved:** Ing. Stelian Vana-Cross

**Asociatia / Association:** **Beneficiar / Beneficiary:** ROMANIAN RAILWAY NATIONAL COMPANY  
**Data / Date:** 05.2009  
**Proiectant / Designer:** Ing. Cosmin Coseanu  
**Verificator / Checked:** Ing. Ioan Dacin  
**Forma aprobata / Form Approved:** Ing. Stelian Vana-Cross

**Asociatia / Association:** **Beneficiar / Beneficiary:** ROMANIAN RAILWAY NATIONAL COMPANY  
**Data / Date:** 05.2009  
**Proiectant / Designer:** Ing. Cosmin Coseanu  
**Verificator / Checked:** Ing. Ioan Dacin  
**Forma aprobata / Form Approved:** Ing. Stelian Vana-Cross

**Asociatia / Association:** **Beneficiar / Beneficiary:** ROMANIAN RAILWAY NATIONAL COMPANY  
**Data / Date:** 05.2009  
**Proiectant / Designer:** Ing. Cosmin Coseanu  
**Verificator / Checked:** Ing. Ioan Dacin  
**Forma aprobata / Form Approved:** Ing. Stelian Vana-Cross